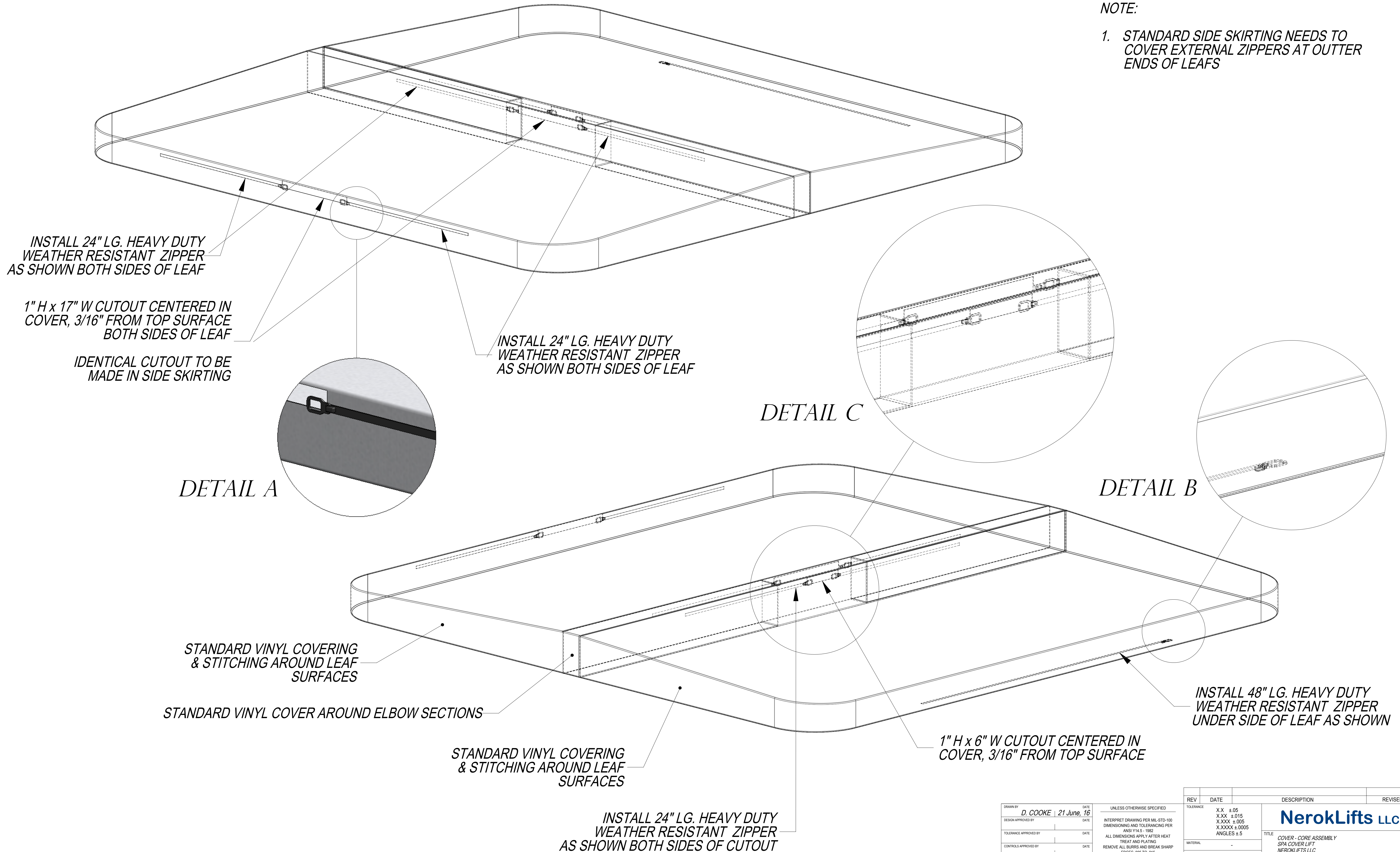


NOTE:

1. STANDARD SIDE SKIRTING NEEDS TO COVER EXTERNAL ZIPPERS AT OUTER ENDS OF LEAFS



THE INFORMATION DISCLOSED HEREIN CONTAINS PROPRIETARY RIGHTS OF NEROK LLC, AND IS NOT TO BE REPRODUCED, USED OR DISCLOSED TO OTHERS FOR MANUFACTURE OF ANY OTHER PURPOSE EXCEPT AS SPECIFICALLY AUTHORIZED IN WRITING BY NEROK LLC.

DESIGNED BY D. COOKE	DATE 21 June, 16	UNLESS OTHERWISE SPECIFIED
DESIGN APPROVED BY	DATE	INTERPRET DRAWING PER MIL-STD-100
TOLERANCE APPROVED BY	DATE	ANSI Y14.5 - 1982
CONTROLS APPROVED BY	DATE	ALL DIMENSIONS APPLY AFTER HEAT TREAT AND PLATING
ELECTRICAL APPROVED BY	DATE	REMOVE ALL BURRS AND BREAK SHARP EDGES .063 TO .015
PNEUMATIC APPROVED BY	DATE	FILET RADIUS .005 TO .015
		MACHINED SURFACES 125
		THREADS PER FED-STD-H28

REV	DATE	DESCRIPTION	REVISED
<p>TOLERANCE</p> <p>X.X ±.05</p> <p>X.XX ±.015</p> <p>X.XXX ±.005</p> <p>X.XXXX ±.0005</p> <p>ANGLES ±.5</p>			
<p>MATERIAL</p> <p>-</p>			
<p>SIZE</p> <p>-</p>			
<p>HEAT TREAT</p> <p>-</p>			
<p>FINISH</p> <p>-</p>			
<p>SCALE NONE</p>		<p>SHEET 2 of 3</p>	
<p>REV. R</p>		<p>FILENAME: NEROK-05-00 (Rev. R) Cover - Core Assembly.SLDDRW</p>	

NerokLifts LLC

TITLE
COVER - CORE ASSEMBLY
SPA COVER LIFT
NEROKLIFTS LLC

DWG NO. **NEROK-05-00**