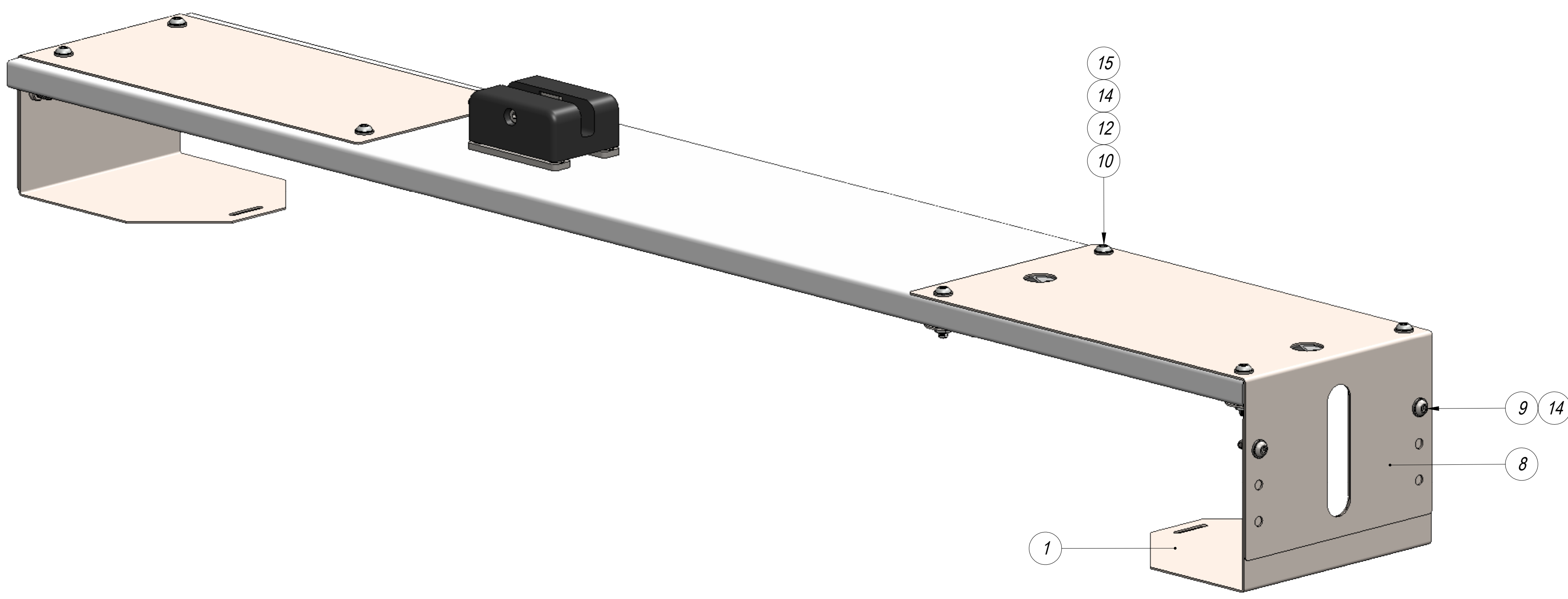
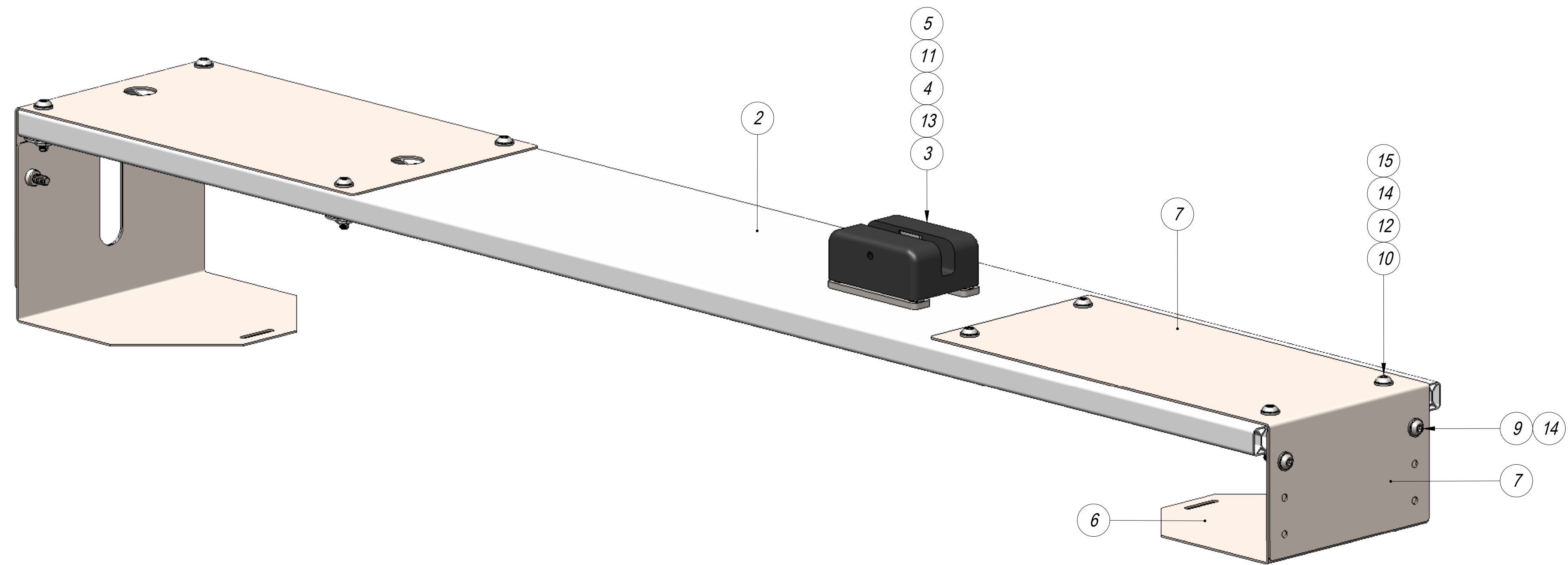


ITEM NO.	QTY.	FILE NAME
1	1	NEROK-03-06 (Rev. T) COVER SUPPORT BRACKET
2	1	NEROK-04-01 (Rev. T) ARM
3	1	NEROK-04-02 (Rev. S) CABLE END TERMINATION BLOCK
4	2	NEROK-04-03 (Rev. S) BRACKET, CABLE TERMINATION BLOCK MOUNT
5	1	NEROK-04-04 (Rev. S) PLATE, CABLE TERMINATION BLOCK MOUNT
6	1	NEROK-04-05 (Rev. S) COVER SUPPORT BRACKET, TIP
7	1	NEROK-04-06 (Rev. S) COVER SUPPORT BRACKET, TIP
8	1	NEROK-04-07 (Rev. T) COVER SUPPORT BRACKET
9	4	Button Head Cap Screw, Zinc, 1/4-20 x 3/4" Lg.
10	8	Button Head Cap Screw, Zinc, 1/4-20 x 1-1/4" Lg.
11	4	Flat Head Cap Screw, Stainless, #10-32 x 1-1/4" Lg.
12	8	Hex Nut, Jam, 1/4-20
13	1	Socket Head Shoulder Screw, Stainless, 5/16" Dia. x 1-1/2" Lg.
14	12	Washer, AN Flat, 1/4" Dia.
15	8	Washer, Oversized Flat, 1/4" I.D. x 1.00" O.D.



THE INFORMATION DISCLOSED HEREIN CONTAINS PROPRIETARY RIGHTS OF NEROK LLC, AND IS NOT TO BE REPRODUCED, USED OR DISCLOSED TO OTHERS FOR MANUFACTURE OF ANY OTHER PURPOSE EXCEPT AS SPECIFICALLY AUTHORIZED IN WRITING BY NEROK LLC.

DESIGNED BY	D. COOKE	DATE	09 Mar, 17
DESIGN APPROVED BY		DATE	
TOLERANCE APPROVED BY		DATE	
CONTROLS APPROVED BY		DATE	
ELECTRICAL APPROVED BY		DATE	
PNEUMATIC APPROVED BY		DATE	

UNLESS OTHERWISE SPECIFIED:
 INTERPRET DRAWING PER MIL-STD-100
 DIMENSIONING AND TOLERANCING PER
 ANSI Y14.5 - 1982
 ALL DIMENSIONS APPLY AFTER HEAT
 TREAT AND PLATING
 REMOVE ALL BURRS AND BREAK SHARP
 EDGES .005 TO .015
 FILET RADIUS .005 TO .015
 MACHINED SURFACES 125
 THREADS PER FED-STD-H28

REV	DATE	DESCRIPTION	REVISED

TOLERANCE	X.X ±.05 X.XX ±.015 X.XXX ±.005 X.XXXX ±.0005 ANGLES ±.5
MATERIAL	-
SIZE	-
HEAT TREAT	-
FINISH	-

TITLE		ARM, ELBOW to TIP ASSEMBLY	
DWG NO.		NEROK-04-00	
SCALE	NONE	SHEET	1 of 1
REV.	T		